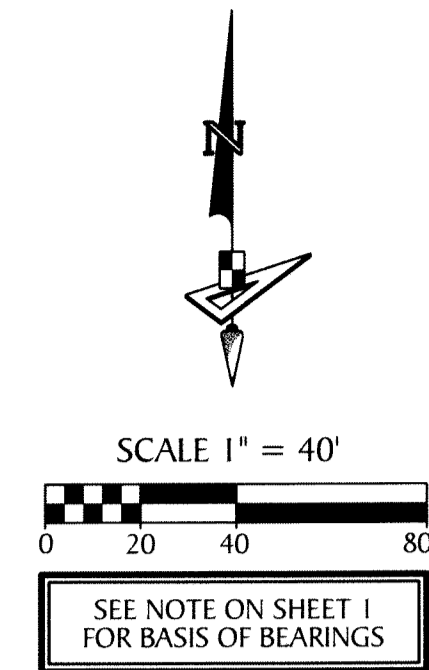
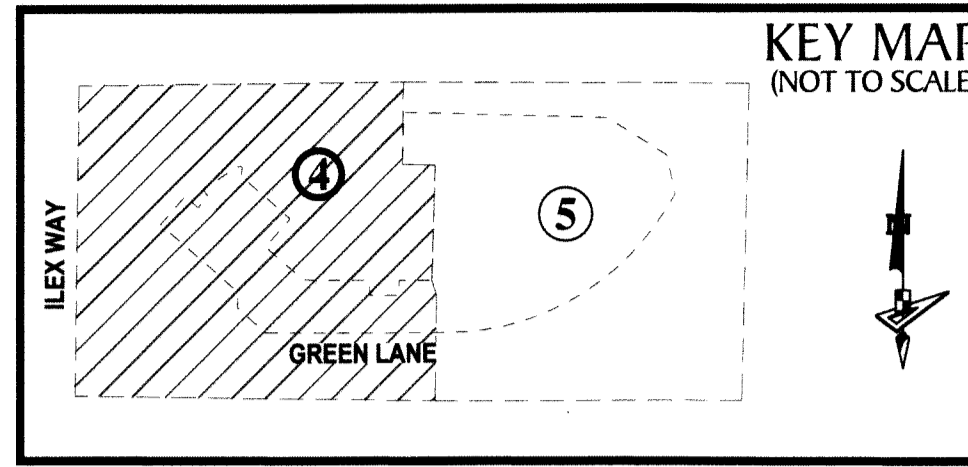


LEGEND

- P.O.B. ----- POINT OF BEGINNING
- P.O.C. ----- POINT OF COMMENCEMENT
- P.B. ----- PLAT BOOK
- D.B. ----- DEED BOOK
- PG./PG(s) ----- PAGE(S)
- NAD ----- NORTH AMERICAN DATUM
- W.M.T. ----- WATER MANAGEMENT TRACT
- O.S.T. ----- OPEN SPACE TRACT
- P.B.C. ----- PALM BEACH COUNTY
- R.P.B. ----- ROAD PLAT BOOK
- U.E. ----- UTILITY EASEMENT
- D.E. ----- DRAINAGE EASEMENT
- R.P.E. ----- RURAL PARKWAY EASEMENT
- S.I.D. ----- SEMINOLE IMPROVEMENT DISTRICT
- L.M.A.E. ----- LAKE MAINTENANCE ACCESS EASEMENT
- R.P.E. ----- RURAL PARKWAY EASEMENT
- 7-43-41 ----- SECTION-TOWNSHIP-RANGE
- R/W ----- RIGHT-OF-WAY
- CL ----- CENTER LINE OF ROAD
- (R) ----- RADIAL
- (NR) ----- NON-RADIAL
- PRM ----- PERMANENT REFERENCE MONUMENT
- HOA ----- HOMEOWNERS ASSOCIATION
- PRM ----- PERMANENT REFERENCE MONUMENT
- R ----- RADIUS
- L ----- ARC LENGTH
- D ----- DELTA ANGLE
- CB ----- CHORD BEARING
- C ----- CHORD
- ----- PERMANENT CONTROL POINT
- ----- FOUND PERMANENT REFERENCE MONUMENT
- ----- SET 4"x4" CONCRETE MONUMENT WITH 2" ALUMINUM DISK STAMPED "PRM LB 7768"

# SKY COVE SOUTH - PHASE 1 B

A SUBDIVISION IN SECTION 12, TOWNSHIP 43 SOUTH, RANGE 40 EAST, CITY OF WESTLAKE, PALM BEACH COUNTY, FLORIDA, BEING A REPLAT OF TRACT "N", SKY COVE SOUTH - PHASE 1 A, PLAT BOOK 131, PAGES 170 THROUGH 176, INCLUSIVE, PUBLIC RECORDS OF PALM BEACH COUNTY, FLORIDA



132

